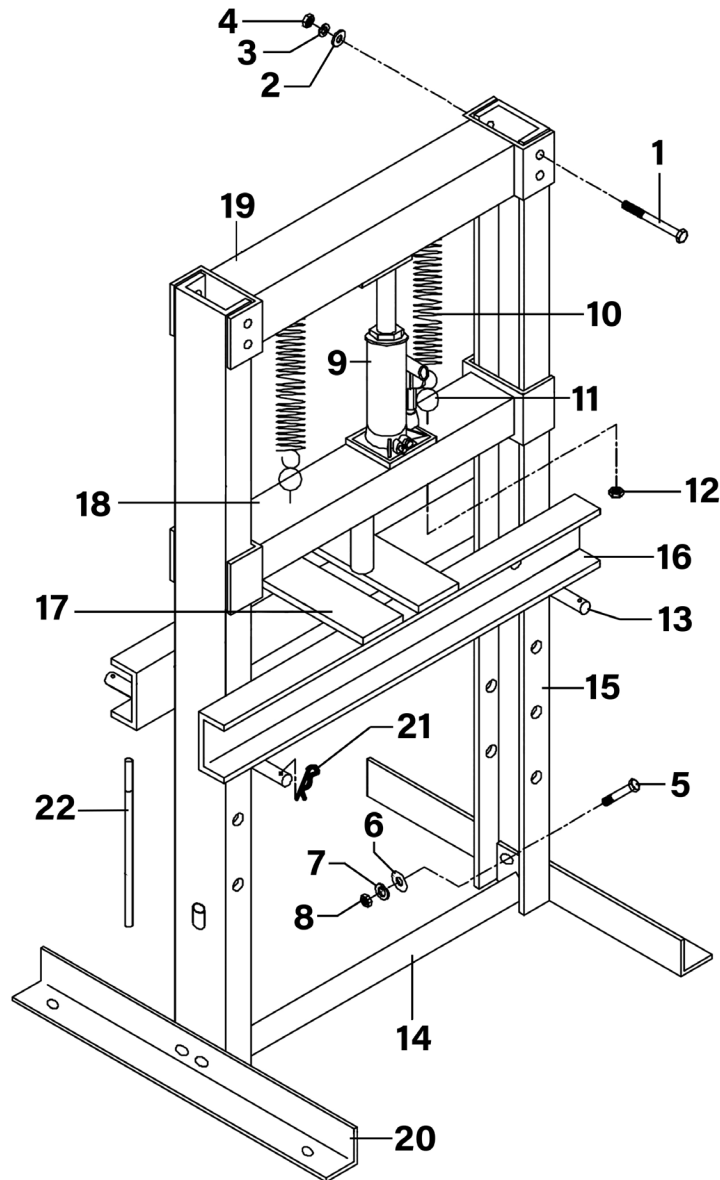


Parts Information:
Hydraulic Press 6 Tonne Bench Type
Model No: YK6ECB.V4



Item	Part No.	Description	Qty
1	HHB12110.S	Hex Head Bolt M12 x 110mm	4
2	FWM12.S	Flat Washer M12 Zinc	4
3	SWM12.S	Spring Washer M12 Zinc	4
4	SN12.S	Steel Nut M12 Zinc	4
5	SS1035.S	Hex Head Set Screw M10 X 35 Zinc	4
6	FWM10.S	Flat Washer M10 Zinc	4
7	SWM10.S	Spring Washer M10 Zinc	4
8	SN10.S	Steel Nut M10 Zinc	4
9	YK6ECB-V4-09	Hydraulic Unit	1
10	YK6ECB-V4-10	Press Spring	2
11	YK6ECB-V4-11	Hook Pin	2

Item	Part No.	Description	Qty
12	SN8.S	Steel Nut M8 Zinc	2
13	YK6ECB-V4-13	Bed Frame Pin Ø16 x 250	2
14	YK6ECB-V4-14	Spreader Bar	1
15	YK6ECB-V4-15	Upright	2
16	YK6ECB-V4-16	Table Platform	1
17	YK6ECB-V4-17	Arbor Plate	2
18	YK6ECB-V4-18	Cross Beam Base	1
19	YK6ECB-V4-19	Upper Cross Beam	1
20	YK6ECB-V4-20	Base Support	2
21	YK6ECB-V4-21	B-Pin	4
22	YK6ECB-V4-22	Pumping Handle for Hydraulic Unit	1

NOTE: It is our policy to continually improve products and as such we reserve the right to alter data, specifications and component parts without prior notice. There may be alternative versions of this product, please contact us should you require this information.

IMPORTANT: No liability is accepted for incorrect use of product. Spare parts must be fitted by a competent person

WARRANTY: Guarantee is 12 months from purchase date, proof of which will be required for any claim.